

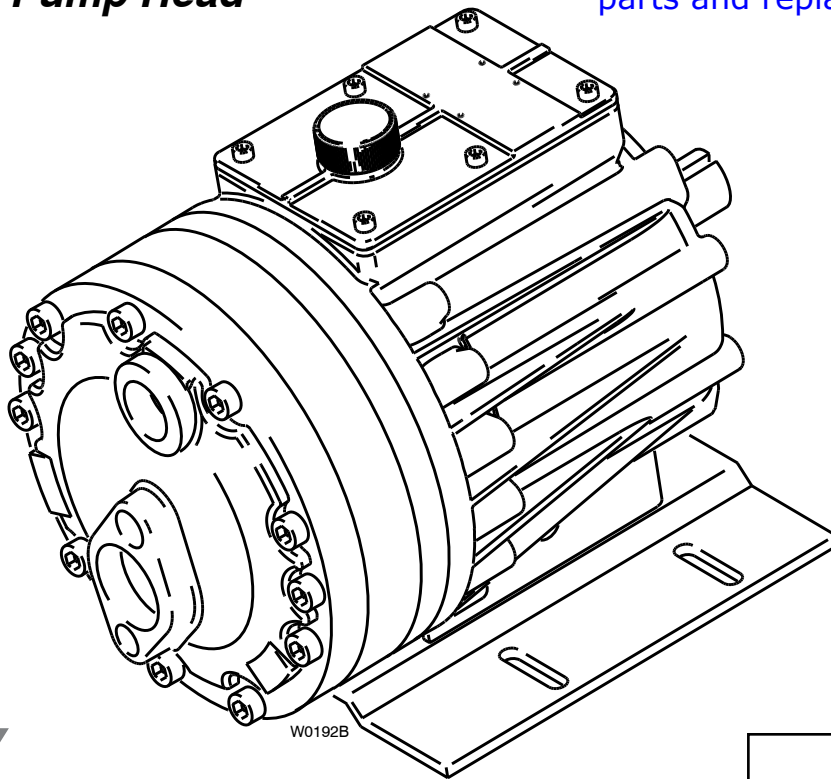
Parts Manual
G25-991-2402C2

Hydra-Cell[®]

INDUSTRIAL PUMPS

Models: G-25, H-25
With Metallic Pump Head

CALL 908.362.9981 OR VISIT
<http://www.innovativepumps.com>
for pricing and availability of spare
parts and replacement pumps



WANNER ENGINEERING, INC.

Click Here
For Your Free Quote

IMPORTANT

Record your pump model number and serial number here for easy reference:

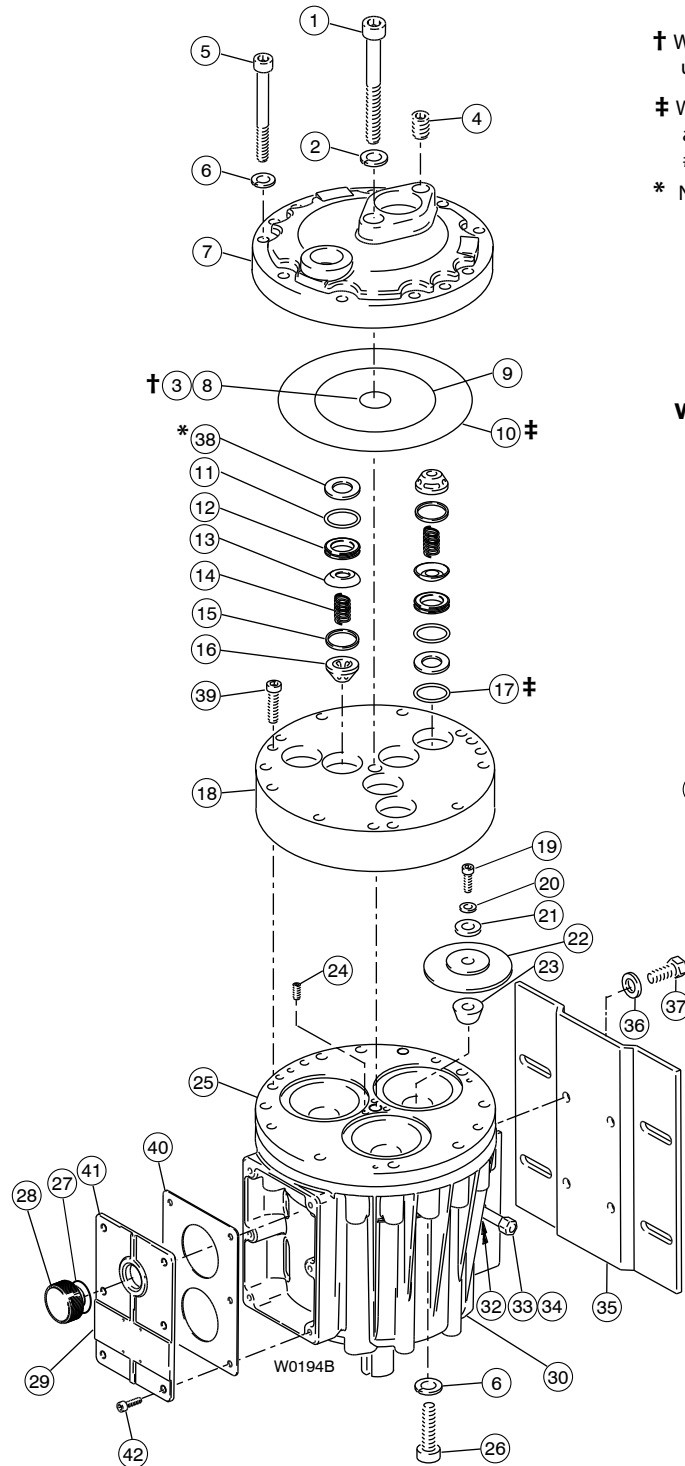
Model No. _____

Serial No. _____

Date of Purchase _____

When ordering parts or making inquiries about this pump, please mention the model and serial numbers.

G/H-25 Fluid End (with metallic pump head)

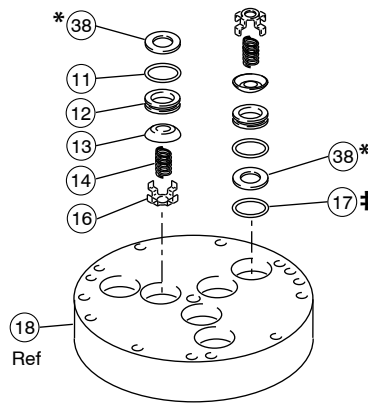


† With brass external-centerbolt models, use #8; with all other models, use #3.

‡ With cast iron pump heads, use #17 and not #10; with all other heads, use #10 and not #17.

* Not included with brass pump heads.

Valve Assemblies with metal spring retainers



Ref. No.	Part Number	Description	Quantity/Pump
1	G25-081-2045	Cap Screw, socket head, M12 x 1.25 x 114 mm	1
2	G10-084-1010	Washer, 13 cm, flat	1
3	D25-083-2110	O-ring, centerbolt, Buna ¹	1
	D25-083-2111	O-ring, centerbolt, Viton ¹	1
	D25-083-2112	O-ring, centerbolt, Neoprene ¹	1
	D25-083-2113	O-ring, centerbolt, EPDM ¹	1
	D25-083-2118	O-ring, centerbolt, Teflon ¹	1

Ref. No.	Part Number	Description	Quantity/Pump
4	For Model G		
	G25-038-2017	Plug, Hastelloy C, BSPT	1
	G25-038-2211	Plug, 316 SST, BSPT	1
	For Model H		
	D25-038-2017	Plug, Hastelloy C, NPT	1
	D25-038-2210	Plug, brass, NPT	1
	D25-038-2211	Plug, 316 SST, NPT	1
5	G25-024-2010	Cap Screw, socket-head, M10 x 1.5 x 120 mm	11
6	G25-048-2010	Washer, split-lock, M10	15
7	For Model G		
	G25-004-1010	Manifold, brass, BSPT	1
	G25-004-1022	Manifold, 316 SST, BSPT	1
	G25-004-1026	Manifold, cast iron, BSPT	1
	G25-004-1029	Manifold, nickel alloy, C series, BSPT	1
	G25-004-1038	Manifold, duplex alloy, 2205, BSPT	1
	For Model H		
	D25-004-1010	Manifold, brass, NPT	1
	D25-004-1022	Manifold, 316 SST, NPT	1
	D25-004-1026	Manifold, cast iron, NPT	1
	D25-004-1029	Manifold, nickel alloy, C series, NPT	1
	D25-004-1036	Manifold, duplex alloy, 2205, NPT	1

G/H-25 Fluid End (with metallic pump head)

Ref. No.	Part Number	Description	Quantity/ Pump	Ref. No.	Part Number	Description	Quantity/ Pump	
8	D10-083-2110	O-ring, center manifold, Buna ¹	1	21	D25-017-1010	Follower, 316 SST	3	
	D10-083-2111	O-ring, center manifold, Viton ¹	1		D25-017-1011	Follower, Hastelloy C	3	
	D10-083-2112	O-ring, center manifold, Neoprene ¹	1	22	D25-018-2312	Diaphragm, Neoprene	3	
	D10-083-2113	O-ring, center manifold, EPDM ¹	1		D25-018-2313	Diaphragm, EPDM	3	
	D10-083-2118	O-ring, center manifold, Teflon ¹	1		D25-018-2315	Diaphragm, Viton-XT	3	
			D25-018-2318		Diaphragm, Teflon	3		
9	D25-073-2110	O-ring, inner manifold, Buna	1	D25-018-2320	Diaphragm, Buna-N-XS	3		
	D25-073-2111	O-ring, inner manifold, Viton	1	D25-018-2325	Diaphragm, Aflas	3		
	D25-073-2112	O-ring, inner manifold, Neoprene	1	23	D25-016-1010	Plunger	3	
	D25-073-2113	O-ring, inner manifold EPDM	1		D25-016-1010	Plunger	3	
	D25-073-2118	O-ring, inner manifold, Teflon	1	24	G25-082-2010	Set Screw, M6 x 1 x 16 mm	3	
			K25-002-1020		Cylinder Housing, Kel-Cell	1		
10	D25-097-2110	O-ring, outer manifold, Buna ²	1	K25-002-1210	Cylinder Housing Assembly, Kel-Cell ³	—		
	D25-097-2111	O-ring, outer manifold, Viton ²	1	26	H25-087-2010	Screw, cap, socket head	4	
	D25-097-2112	O-ring, outer manifold Neoprene ²	1		D10-080-2110	O-ring, oil fill, Buna	1	
	D25-097-2113	O-ring, outer manifold EPDM ²	1		D03-039-1030	Cap with O-ring, oil fill	1	
	D25-097-2118	O-ring, outer manifold, Teflon ²	1		D10-040-2410	Name Plate	1	
			H25-001-1230		Pump Housing ⁴	1		
11	D25-035-2110	O-ring, valve seat, Buna	6	H25-001-1231	Pump Housing for C-face Adapter ⁴	1		
	D25-035-2111	O-ring, valve seat, Viton	6	G25-001-1218	Pump Housing Assembly ⁵	1		
	D25-035-2112	O-ring, valve seat, Neoprene	6	G25-001-1228	Pump Housing Assembly for C-face Adapter ⁵	1		
	D25-035-2113	O-ring, valve seat, EPDM	6	32	D25-038-2211	Plug, socket head	2	
	D25-035-2118	O-ring valve seat, Teflon	6		D25-077-2210	Pipe, 3/8"	1	
12	D25-020-1010	Valve Seat, 17-4 HT SST	6	D25-078-2210	Cap, 3/8"	1		
	D25-020-1012	Valve Seat, Nitronic 50	6	D25-025-1010	Base	1		
	D25-020-1016	Valve Seat, tungsten carbide	6	G25-054-2010	Washer, shakeproof, M10	4		
	D25-020-1017	Valve Seat, Hastelloy C	6	G10-029-2010	Screw, cap, hex-hd	4		
	D25-020-3300	Valve Seat, ceramic	6	38	D25-125-1011	Washer, dampening, 316 SST ⁶	6	
13	D25-021-1010	Valve, 17-7 HT SST. stamped	6		D25-125-1017	Washer, dampening, Hastelloy C ⁶	6	
	D25-021-1011	Valve, Nitronic 50	6		D25-125-2310	Washer, dampening, Celcon (Delrin) ⁶	6	
	D25-021-1015	Valve, 17-4 HT SST, machined	6		D25-125-2316	Washer, dampening, Nylon ⁶	6	
	D25-021-1016	Valve, tungsten carbide	6	D25-125-2317	Washer, dampening, polypropylene ⁶	6		
	D25-021-1017	Valve, Hastelloy C	6	D25-125-2318	Washer, dampening, Kynar ⁶	6		
D25-021-3300	Valve, ceramic	6	39	G25-088-2010	Screw, cap, socket head	3		
14	D25-022-3110	Valve Spring, 17-7 HT SST		6	H25-106-2318	Gasket, cover	1	
	D25-022-3114	Valve Spring, Elgiloy		6	41	H25-105-1030	Cover, housing	1
	D25-022-3115	Valve Spring, Hastelloy C		6		G35-088-2010	Screw, cap, socket head	6
15	D25-092-2110	Tetra Seal, Buna		6	42			
	D25-092-2111	Tetra Seal, Viton	6					
	D25-092-2112	Tetra Seal, Neoprene	6					
	D25-092-2113	Tetra Seal, EPDM	6					
	D25-092-2118	O-ring, Teflon (not a Tetra Seal)	6					
16	D25-023-1010	Retainer, valve spring, 17-7 HT SST	6					
	D25-023-1017	Retainer, valve spring, Hastelloy C	6					
	D25-023-2310	Retainer, valve spring, Celcon	6					
	D25-023-2316	Retainer, valve spring, Nylon	6					
	D25-023-2317	Retainer, valve spring, polypropylene	6					
D25-023-2318	Retainer, valve spring, Kynar	6						
17	D25-074-2110	O-ring, outlet valve, Buna ²	3					
	D25-074-2111	O-ring, outlet valve, Viton ²	3					
	D25-074-2112	O-ring, outlet valve, Neoprene ²	3					
	D25-074-2113	O-ring, outlet valve, EPDM ²	3					
	D25-074-2118	O-ring, outlet valve, Teflon ²	3					
18	D25-003-1010	Valve Plate, brass	1					
	D25-003-1012	Valve Plate, 316 SST	1					
	D25-003-1016	Valve Plate, cast iron	1					
	D25-003-1029	Valve Plate, nickel alloy C series	1					
19	D25-030-2010	Screw, flat-head, 5/8", 316 SST	3					
	D25-030-2011	Screw, flat-head, 5/8", Hastelloy C	3					
20	D25-047-2110	O-ring, follower, Buna	3					
	D25-047-2111	O-ring, follower, Viton	3					
	D25-047-2112	O-ring, follower, Neoprene	3					
	D25-047-2113	O-ring, follower, EPDM	3					
	D25-047-2118	O-ring, follower, Teflon	3					

¹ With brass external-centerbolt models, use Ref #8; with all other models, use Ref #3.

² With cast iron pump heads, use Ref #17 and not Ref #10; with all other models, use Ref #10 and not Ref # 17.

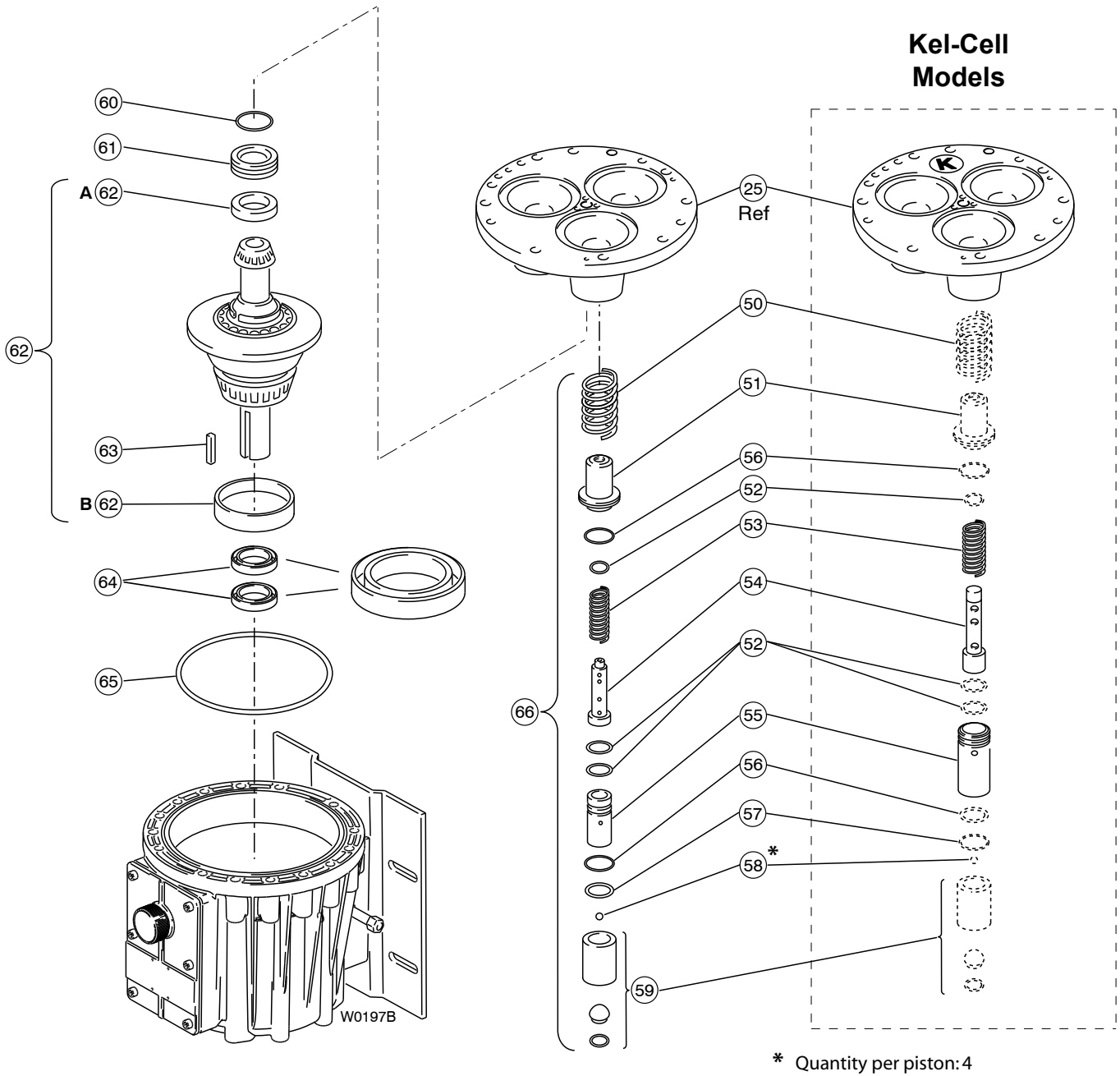
³ Cylinder Housing Assembly includes: housing (25), bearing adjusting plate (61), O-ring (60), and screws (24).

⁴ Pump Housing includes: housing (30), gasket (40), cover (41), screws (42), and plugs (32).

⁵ Pump Housing Assembly includes: housing (30), gasket (40), cover (41), screws (42), oil drain (33, 34), plugs (32), cap screws (26), and split-lock washers (6).

⁶ Not required on all pumps.

G/H-25 Hydraulic End (w/metallic pump head)



G/H-25 Hydraulic End (w/metallic pump head)

Ref. No.	Part Number	Description	Quantity/ Pump
50	D25-019-3111	Spring, piston return.....	3
51	D25-042-1010	Retainer, piston return spring	3
52	D25-046-2110	O-ring, valve cylinder, Buna.....	9
53	D25-045-3110	Spring, sleeve valve.....	3
	K25-045-3110	Spring, sleeve valve, Kel-Cell	3
54	D25-044-1010	Valve Plunger	3
	K25-044-1010	Valve Plunger, Kel-Cell	3
55	D25-043-1010	Cylinder, valve.....	3
	K25-043-1010	Cylinder, valve, Kel-Cell.....	3
56	D25-034-2110	O-ring, Buna.....	6
57	D25-041-1010	Washer, ball retainer	3
58	D25-015-3010	Ball, 1/4"	12
59	D25-014-1209	Piston, with foot and retainer	3
60	D25-075-2110	O-ring, bearing adjusting plate, Buna.	1
61	D25-012-1010	Bearing Adjusting Plate.....	1
62	H25-007-1210	(X) Cam Assembly, 20 gpm, 76 lpm @ 1050 rpm ¹	1
	H25-007-1212	(I) Cam Assembly, 12 gpm, 44 lpm @ 1150 rpm ¹	1
	H25-007-1213	(S) Cam Assembly, 16 gpm, 59 lpm @ 1150 rpm ¹	1
	H25-007-1214	(E) Cam Assembly, 20 gpm, 76 lpm @ 1150 rpm ¹	1
63	D25-085-2210	Key, shaft	1
64	H25-031-2112	Seal, Buna, 1-1/8".....	2
65	H25-037-2110	O-ring, pump housing, Buna, Ser. No. 100403 & above.....	1
66	D25-014-1210	Piston Assembly ²	3
	K25-014-1210	Piston Assembly, Kel-Cell ²	3
—	D25-111-2400	Label, caution.....	1

¹ Cam Assembly includes cam, shaft, wobble plate, bearings, and cups. It is only available as an assembly.

² Piston Assembly includes piston, valve cylinder, foot, valve plunger, O-rings, spring retainer, and springs (50-59).

G/H-25 Series Replacement Parts Kits (with metallic pump head)

ORDERING INFORMATION: A Replacement Parts Kit contains 11 digits corresponding to customer-specified design options.

1	2	3	4	5	6	7	8	9	10	11
---	---	---	---	---	---	---	---	---	----	----

Digit	Order Code	Description
1-3		Pump Configuration
	D25	For all H-25 Pumps
	G25	For all G-25 Pumps
4		Kit Designator
	K	Complete Fluid End Kit
	D	Diaphragm Kit
	V	Valve Kit (diaphragm not included)
5-6		Pump Head Version
	52	Metallic Pump Head Version
7		Diaphragm & O-ring Material
	E	EPDM
	G	Viton-XT
	J	Teflon®
	P	Neoprene
	T	Buna-N-XS
8		Valve Seat Material
	C	Ceramic
	D	Tungsten Carbide
	H	17-4 PH Stainless Steel
	N	Nitronic 50
	T	Hastelloy® C
	X	Not included in Diaphragm Kit
9		Valve Material
	C	Ceramic
	D	Tungsten Carbide
	F	17-7 PH Stainless Steel – Machined
	H	17-7 PH Stainless Steel – Stamped
	N	Nitronic 50
	T	Hastelloy® C
X	Not included in Diaphragm Kit	
10		Valve Springs
	E	Elgiloy®
	H	17-7 PH Stainless Steel
	T	Hastelloy® C
11		Valve Spring Retainers
	C	Celcon
	H	17-7 PH Stainless Steel
	M	Kynar®
	P	Polypropylene
	T	Hastelloy® C
	X	Not included in Diaphragm Kit

Kit Contents

Part Number*	Description	Qty	Kit Designator		
			K	D	V
D25-018-___	Diaphragm	3	•	•	
D25-047-___	O-ring, follower	3	•	•	
D25-074-___	O-ring, outlet valve	3	•	•	•
D25-097-___	O-ring, outer manifold	1	•	•	•
D25-073-___	O-ring, inner manifold	1	•	•	•
D10-083-___	O-ring, center manifold ¹	1	•	•	•
D25-083-___	O-ring, center bolt ²	1	•	•	•
D25-035-___	O-ring, valve seat	6	•		•
D25-020-___	Valve seat	6	•		•
D25-021-___	Valve	6	•		•
D25-022-___	Valve spring	6	•		•
D25-092-___	Tetra seal ³	6	•		•
D25-023-___	Retainer, valve spring	6	•		•
A01-113-3400	Threadlocker	1	•	•	

* Last four digits of part numbers with ___ refer to specific material of construction.

¹ D10-083 is provided for brass head only.

² D25-083 is provided for head other than brass.

³ Not included with metal spring retainers.